



12.4 GHz N FAILSAFE S.P.D.T. SWITCH

OPTIONS: / TTL DRIVE

R F CHARACTERISTICS

FREQUENCY RANGE : 0 - 12.4 GHz
 IMPEDANCE : 50 Ohms

| | | | | | |
|-----------------|---------|---------|---------|---------|----------|
| FREQUENCY (GHz) | 0 - 1 | 1 - 2 | 2 - 3 | 3 - 8 | 8 - 12.4 |
| V.S.W.R <= | 1.15 | 1.20 | 1.25 | 1.35 | 1.50 |
| INSERT. LOSS <= | 0.15 dB | 0.20 dB | 0.25 dB | 0.35 dB | 0.50 dB |
| ISOLATION >= | 85 dB | 80 dB | 75 dB | 70 dB | 60 dB |
| AVER. POWER (*) | 700 W | 500 W | 400 W | 250 W | 200 W |

ELECTRICAL CHARACTERISTICS

ACTUATOR : FAILSAFE
 NOMINAL CURRENT AT 25° C (±10%) : 310 mA
 ACTUATOR VOLTAGE (Vcc) : 12V (10.2 to 13V)
 TERMINALS : male D-sub 9 pins (4-40 UNC nuts)
 TTL INPUTS (E) - High level : 2.2 to 5.5V / 800µA at 5V
 - Low level : 0 to 0.8V / 20µA at 0.8V

MECHANICAL CHARACTERISTICS

CONNECTORS : N fem. per MIL C 39012
 LIFE : 1.000.000 cycles
 SWITCHING TIME (nominal voltage; 25° C) : < 15 ms
 CONSTRUCTION : splashproof
 WEIGHT : < 185 g

ENVIRONMENTAL CHARACTERISTICS

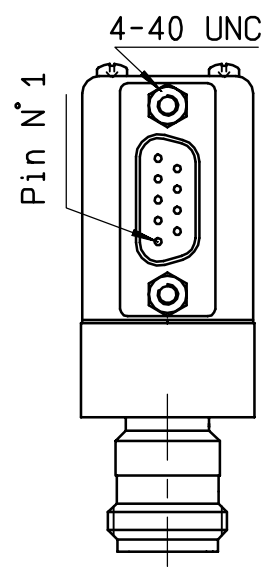
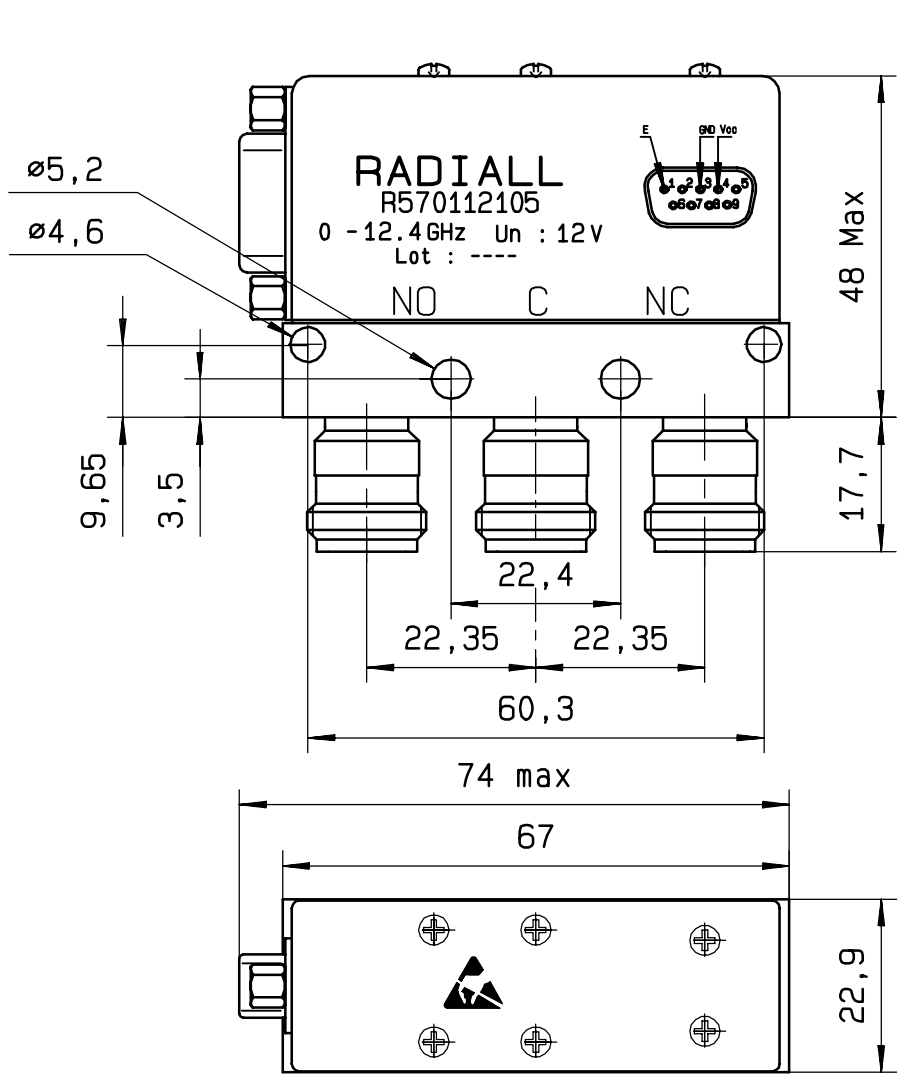
OPERATING TEMPERATURE RANGE (°C) : -40 , +85
 STORAGE TEMPERATURE RANGE (°C) : -55 , +85

(* : average power at 25° C)

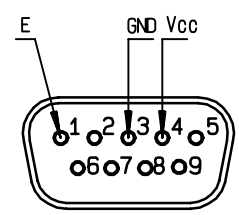
4112-9212 This information is given as an indication. In the continual goal to improve our products, we reserve the right to make any modifications judged necessary

DRAWING

General tolerance: * 0,5 mm

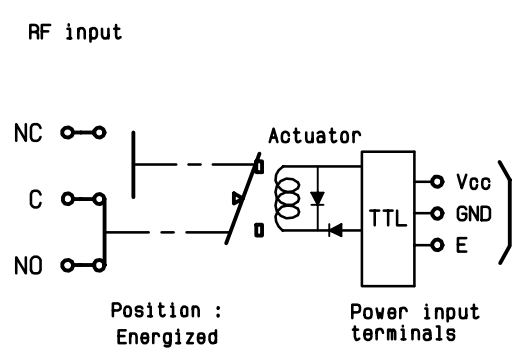


D-SUB 9 pins bottom view



SCHEMATIC DIAGRAM

| TTL input | RF continuity |
|-----------|---------------|
| E=0 | C ↔ NC |
| E=1 | C ↔ NO |



4113-9212 This information is given as an indication. In the continual goal to improve our products, we reserve the right to make any modifications judged necessary